



SPRINT 230V - 36V

Hydraulic barrier for passages up to up to **6 m**



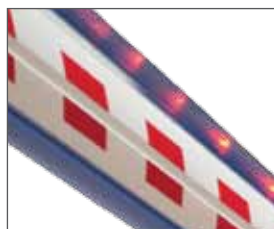
BRUSHLESS technology



INVERTER technology



By pass valves



Strip Led - IP 67



On request quick release



Absolute encoder
POSITION GATE RT

- ▶ Hydraulic barrier for beam up to 6 meters
- ▶ Possibility to add emergency batteries to guarantee the operation also in case of power failure
- ▶ Cathaphoresis treated and polyester painted steel casing for long time lasting, INOX (316) steel casing available
- ▶ Absolute Encoder built-in for speed control during opening /closing and function of reversal on obstacle
- ▶ 230V or 36Vdc power supply
- ▶ Control unit UNIGATE with Inverter or brushless technology

SPECIFICATIONS	SPRINT 230V INVERTER	SPRINT 36V BRUSHLESS
Power supply	230 Vac	36Vdc
Power Consumption (W)	220 W	260W
Absorbed current	1,1A	-
Opening delay	adjustable	adjustable
Frequency of use	90 %	90 %
Thermal protection	130°C	-
Operation temperature	-20°C / +55°C	-20°C / +55°C
Weight	50 kg	52 kg
Oil quantity	1,5 L	1,5 L
Max. beam length	6 m	6 m
Protection class	IP55	IP55
Starting capacitor	6,5 µF	-

UNIGATE

- Digital control unit with LCD display
- Adjustable speed
- Adjustable acceleration/deceleration
- Continuous motor cycles
- High strength in slowdown
- Possibility to manage obstacle reverse



Advantages:

- + Duty cycles
- + Torque
- + Speed (adjustable)

ACCESSORIES



KIT LIGHT TH 3SP FIX
3 m oval beam + balancing spring + blunt-free rubber + beam profile for STRIP LED (sticker not included)



KIT LIGHT TH 4SP FIX
+MB 3m+1m oval beam + balancing spring + blunt-free rubber + beam profile for STRIP LED (sticker not included)



KIT LIGHT TH 5SP FIX
+ MB 3m+ 2m oval beam + balancing spring + blunt-free rubber + beam profile for STRIP LED (sticker not included)



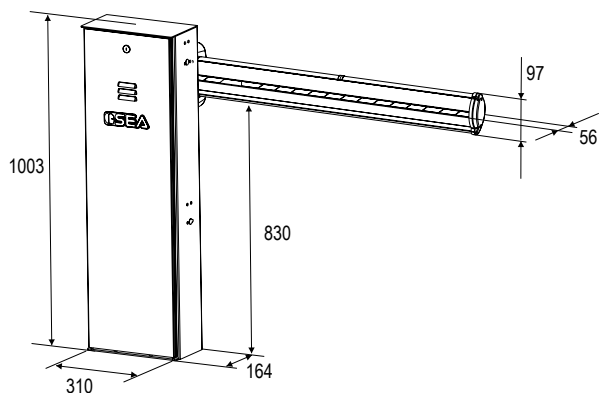
KIT LIGHT TH 6SP FIX
+ MB 3m+ 3m oval beam + balancing spring + blunt-free rubber + beam profile for STRIP LED (sticker not included)



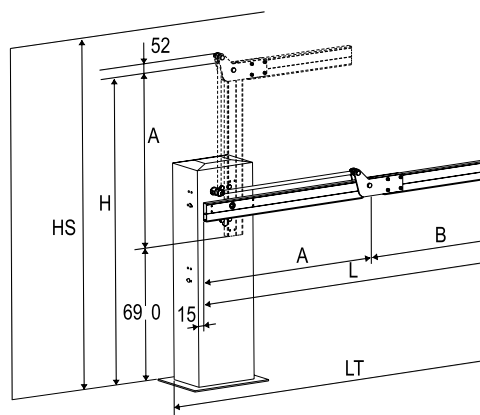
KIT ART
Kit for articulated oval beam up to max 4 m



BAT7 (7AH)
Battery kit with box



DIMENSIONS (mm)



SEA S.p.A.

Zona Industriale S. Atto (TE), 64100 - ITALY - Phone. +39 0861 588341- Fax +39 0861 588344
www.seateam.com | info@seateam.com